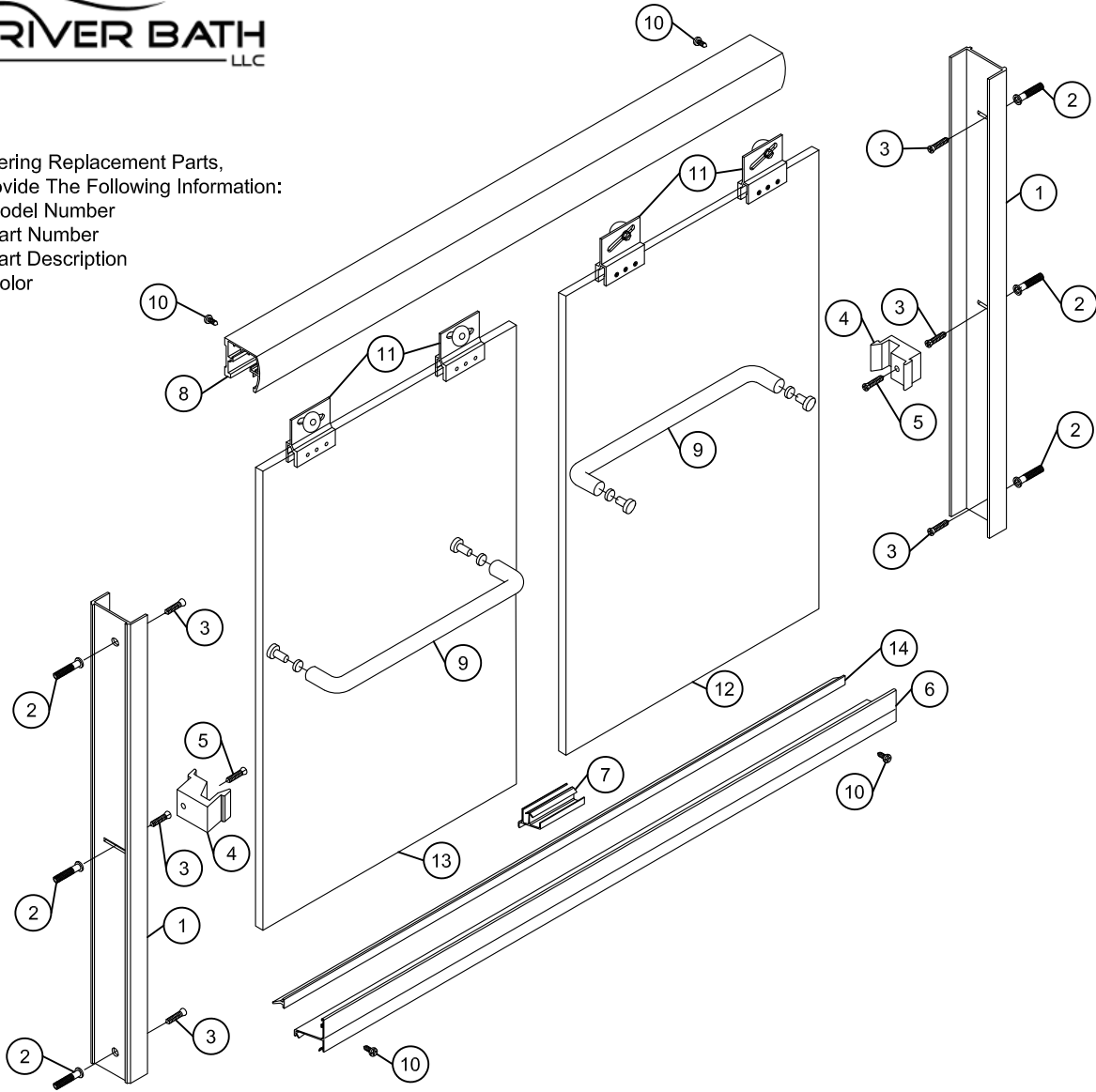


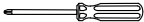









WHITE RIVER BATH LLC














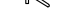
When Ordering Replacement Parts,
Please Provide The Following Information:

1. Model Number
2. Part Number
3. Part Description
4. Color

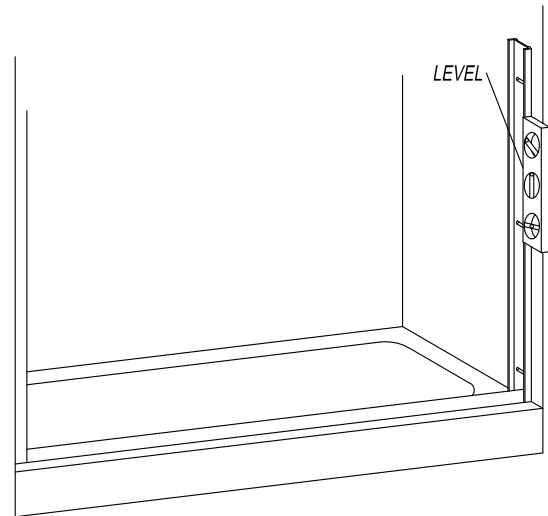


For assembly you will need:

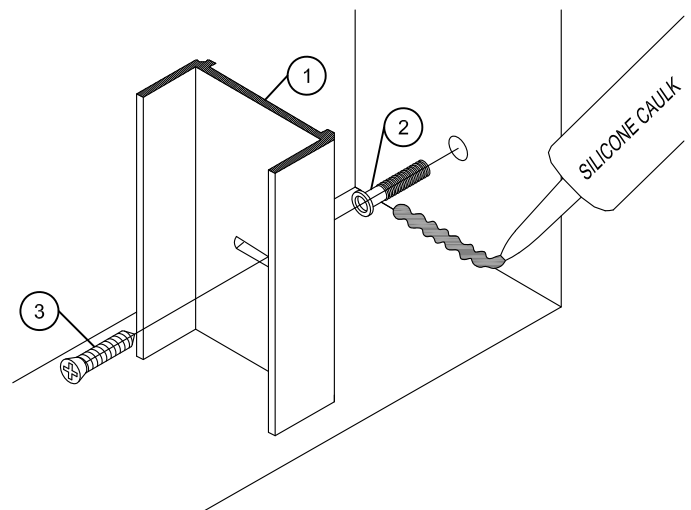
- | | |
|---|---|
| 1. Phillips Screwdriver |  |
| 2. 1/4" Box End Wrench |  |
| 3. Hack Saw |  |
| 4. Silicone |  |
| 5. Rubber Mallet |  |
| 6. 3/16" Carbide Drill Bit (for tile walls) |  |
| 7. #31 Drill Bit |  |
| 8. Level. |  |
| 9. Pencil |  |
| 10. Safety Glasses |  |

Description	Qty.	Part #	Picture
1. Wall Jamb	2	1203	
2. Wall Anchors	6	Anchor	
3. #8 x 1 1/2" SMS	6	#8 SMS	
4. Door Bumper	2	924	
5. #6-32 x 1/2" MS #6 x 1/2" TC	2	#6 MS	
6. Bottom Sill	1	1222	
7. Center Guide - 3"	1	ZV920	
8. Header	1	5201	
9. Towel Bar Assembly	2	Euro TB	
10. #6 x 3/8" SMS	4	#6 SMS	
11. Roller Bracket Assembly - 3"	4	RoI R3	
12. Inside 1/4" Glass Panel with two 1/2" holes	1	ESSPAN	
13. Outside 1/4" Glass Panel with two 1/2" holes	1	ESSPAN	
14. Door Guide Vinyl	1	918	

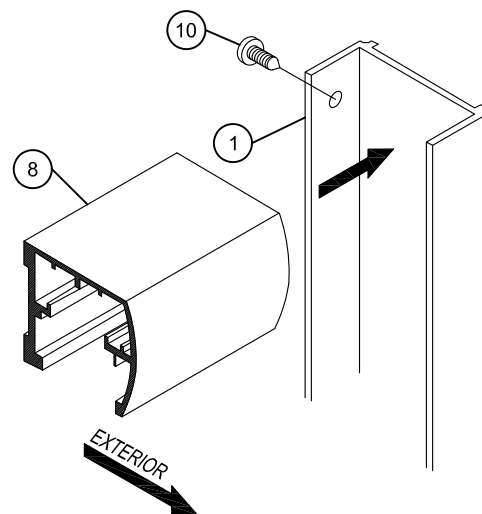
1. Set wall jambs (#1) in place vertically on shower walls making sure each jamb is centered on the tub/shower curb. Hold the jambs plumb against shower walls and mark walls for screw holes. Determine if it is necessary to file a radius on the ends of the wall jambs to properly fit the corners of the tub/shower curb.



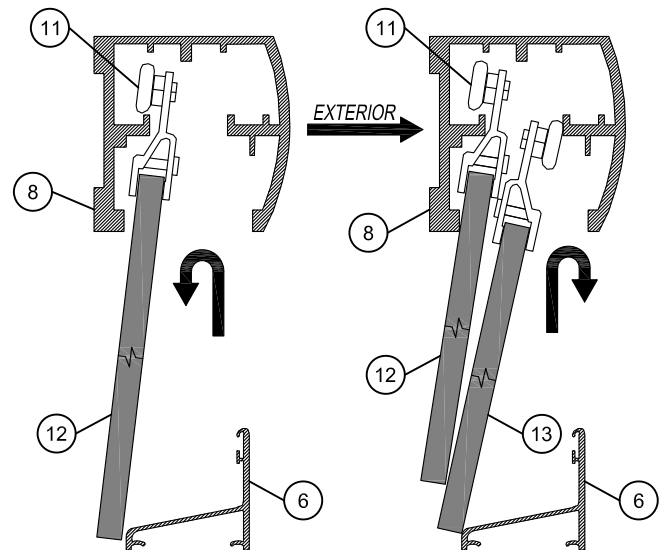
2. Remove each wall jamb. (For tiled walls, use a carbide tipped drill bit). Drill 3/16" diameter holes in previously marked walls. Insert plastic wall anchors (#2) into holes. Silicone where the wall meets the curb of the tub/shower to seal behind the bottom of jambs. Set jambs in place and secure to the wall with #8 x 1 1/2" SMS screws (#3).



3. Cut header (#8) 1/32"-1/16" less than opening width and screw in place with #6 x 3/8" SMS screws (#10).

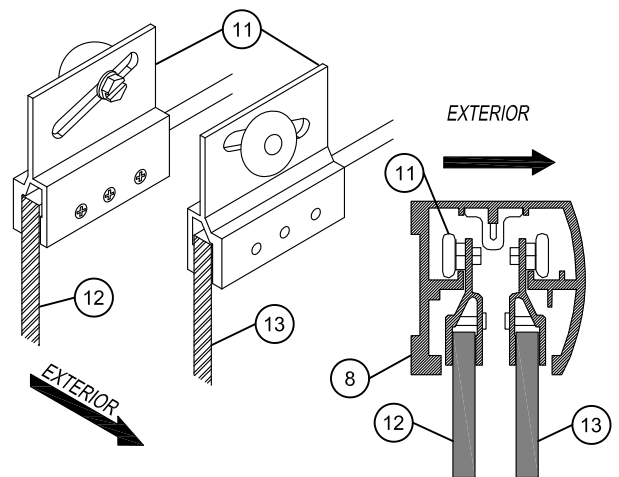


4. Set glass panels in place--Install inside panel first by placing panel inside tub or shower pan with rollers facing the interior of the tub/shower. Lift the panel up into header and lower panel into place. Next, push bottom of first installed panel slightly towards the interior of tub/shower just far enough to allow enough clearance to install the second panel. Install second panel (at angle shown in diagram) with bottom of panel tilted inside of tub or pan. Lift panel up into header and lower in place. Avoid roller bracket-to-bracket contact during install. When both panels are fully installed the outside panel will fit opposite the showerhead wall.

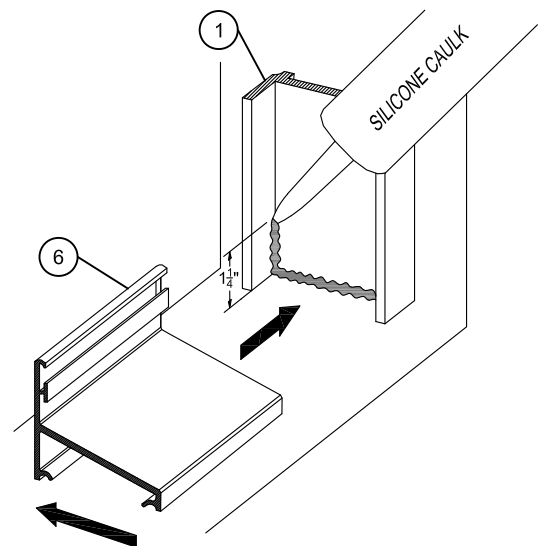


5. Close installed panels to check for panel edge alignment against vertical wall jambs. Using a 1/4" box-end wrench, loosen the screws on the backs of rollers but DO NOT remove completely. While screw is loose, adjust panel by sliding the screw in roller bracket slot to desired adjustment position. Retighten screw.

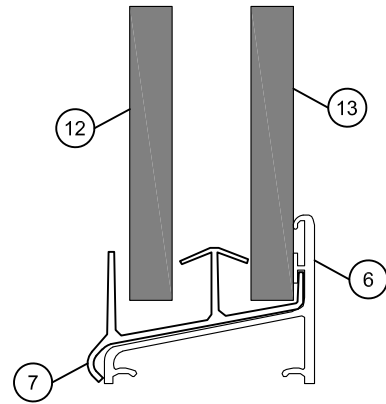
Caution: When screws are loose be sure to support panel so it does not fall and break. Adjust inside slider as low as possible to reduce the gap between bottom of panel and sill taking care that the glass does not drag on the track or center guide.







6. Cut bottom sill (#6) between 1/32"-1/16" less than the opening width between wall jambs. Run a bead of silicone 1 1/4" up the inside of the outside leg of the wall jamb. Set in place with #6 x 3/8" SMS screws (#10) and wipe away any excess silicone.

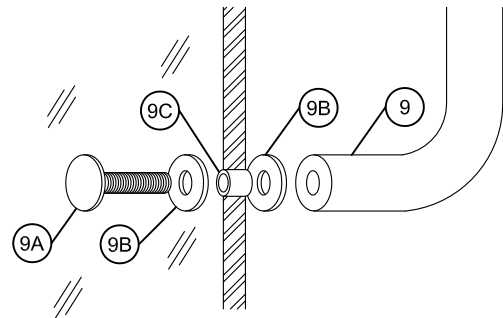


7. Snap center guide (#7) to center position on sill. Make sure the center guide is hooked into the slot position on the sill.



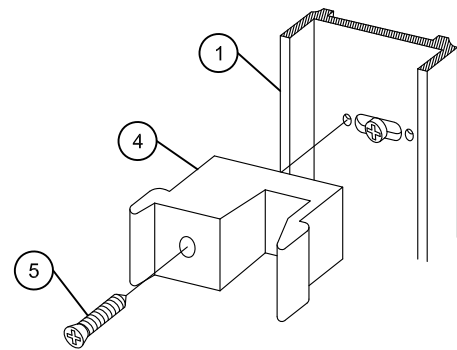
8. Install towel bar as shown in diagram.

Description	Qty.	Part #	Picture
9. Tubular Towel Bar	2	Euro TB	
9A. Towel Bar Pull Fastener	4	Euro BF	
9B. Nylon Towel Bar Washer	8	Euro BW	
9C. Nylon Towel Bar Grommet	4	Euro BG	



9. Secure bumpers (#4) in place with a #6-32 x 1/2" MS (#5).

Note: Glass panels close into the recessed portion of the bumpers. The recess is toward the inside of the tub on the showerhead jamb, and toward the outside on the opposite jamb.



10. Silicone inside and outside of tub/shower where frame meets walls, sill meets wall jamb and curb of tub/shower

