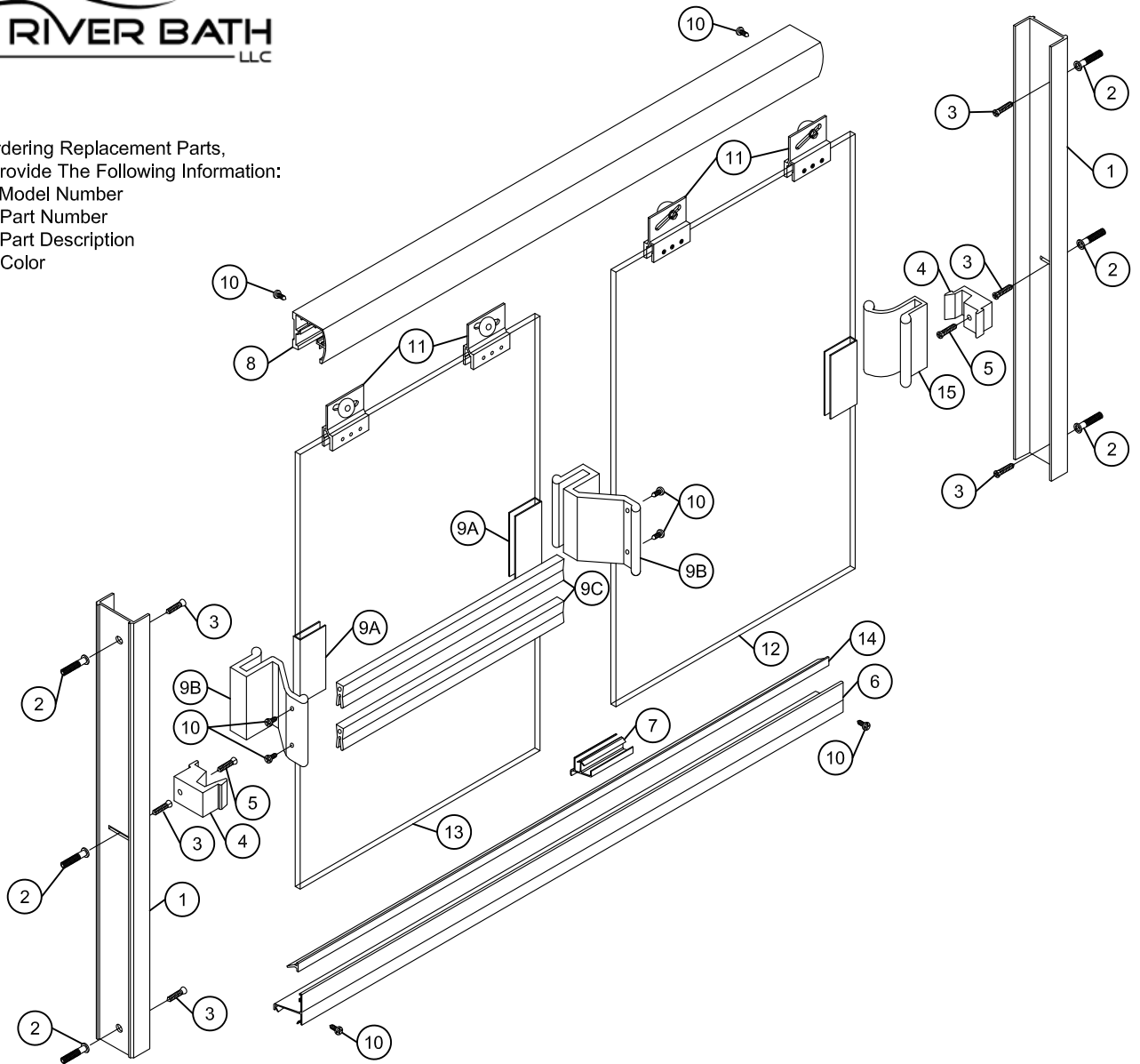




When Ordering Replacement Parts,
Please Provide The Following Information:

1. Model Number
2. Part Number
3. Part Description
4. Color

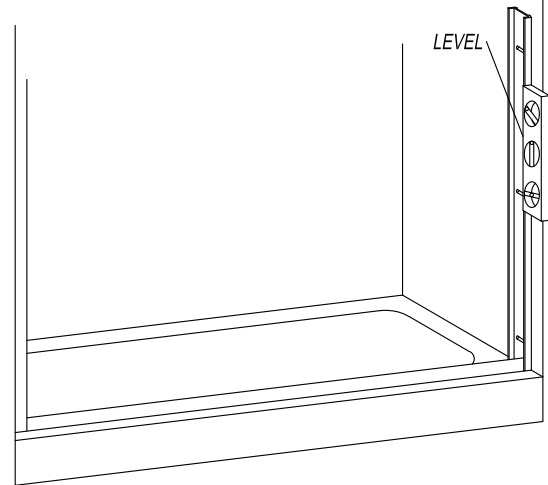


For assembly you will need:

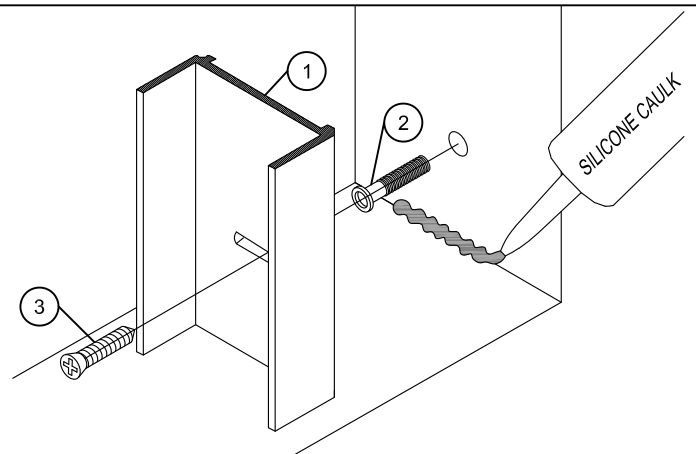
- | | |
|---|--|
| 1. Phillips Screwdriver | |
| 2. 1/4" Box End Wrench | |
| 3. Hack Saw | |
| 4. Silicone | |
| 5. Rubber Mallet | |
| 6. 3/16" Carbide Drill Bit (for tile walls) | |
| 7. #31 Drill Bit | |
| 8. Level | |
| 9. Pencil | |
| 10. Safety Glasses | |

Description	Qty.	Part #	Picture
1. Wall Jamb	2	1203	
2. Wall Anchors	6	Anchor	
3. #8 x 1 1/2 SMS Screws	6	#8 SMS	
4. Door Bumper	2	924	
5. #6-32 x 1/2 MS Screws	2	#6 MS	
6. Bottom Sill	1	1222	
7. Center Guide - 3"	1	ZV920	
8. Header	1	5201	
9A. Handle/Towel Bar Vinyl	3	zv914	
9B. Towel Bar Brackets	2	Comp BBP	
9C. Towel Bars	2	Comp TB	
10. #6 x 3/8 SMS Screws	8	#6 SMS	
11. Roller Bracket Assembly - 3"	4	Rol R3	
12. Inside Glass Panel	1	SSPAN	
13. Outside Glass Panel	1	SSPAN	
14. Door Guide Vinyl	1	918	
15. Inside Door Pull	1	Comp DP	

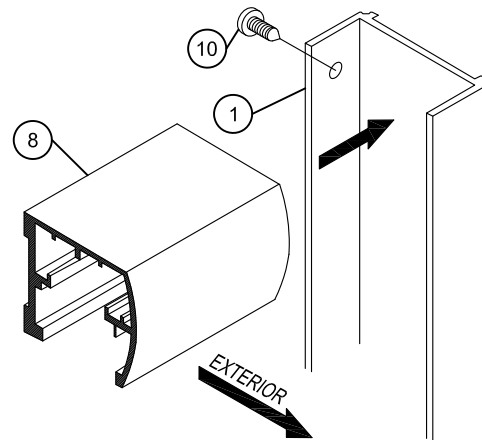
1. Set wall jambs (#1) in place vertically on shower walls making sure each jamb is centered on the tub/shower curb. Hold the jambs plumb against shower walls and mark walls for screw holes. Determine if it is necessary to file a radius on the ends of the wall jambs to properly fit the corners of the tub/shower curb.



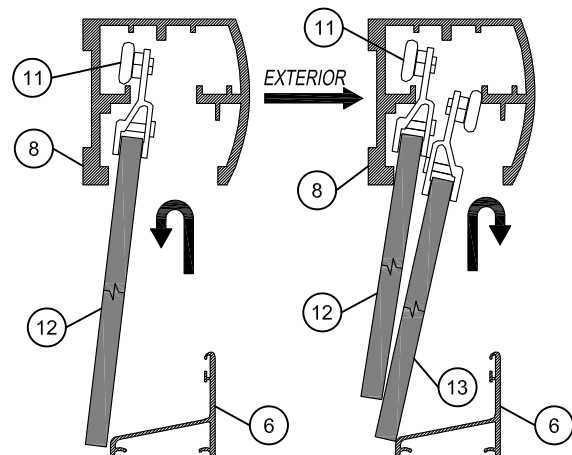
2. Remove each wall jamb. Drill 3/16" diameter holes in previously marked walls. (For tiled walls, use a carbide tipped drill bit) Insert plastic wall anchors (#2) into holes. Silicone where the wall meets the curb of the tub/shower to seal behind the bottom of jambs. Set jambs in place and secure to the wall with #8 x 1 1/2" SMS screws (#3).



3. Cut header (#8) 1/32"-1/16" less than opening width and screw in place with #6 x 3/8" SMS screws (#10).

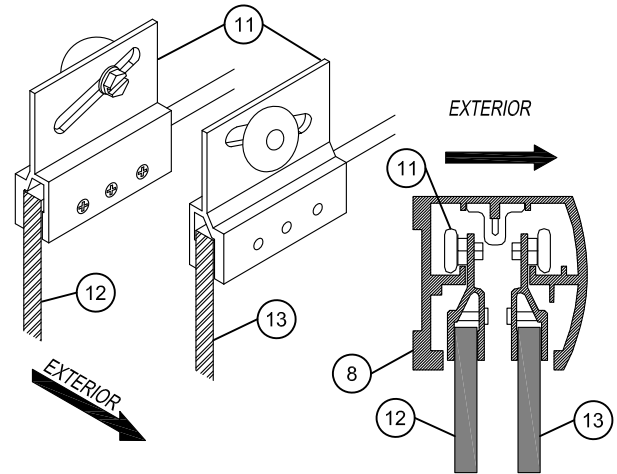


4. Set glass panels in place. Install inside panel first by placing panel inside tub or shower pan with rollers facing the interior of the tub/shower. Lift the panel up into header and lower panel into place. Next, push bottom of first installed panel slightly towards the interior of tub/shower just far enough to allow enough clearance to install the second panel. Install second panel (at angle shown in diagram) with bottom of panel tilted inside of tub or pan. Lift panel up into header and lower in place. Avoid roller bracket-to-bracket contact during install. When both panels are fully installed the outside panel will fit opposite the showerhead wall.

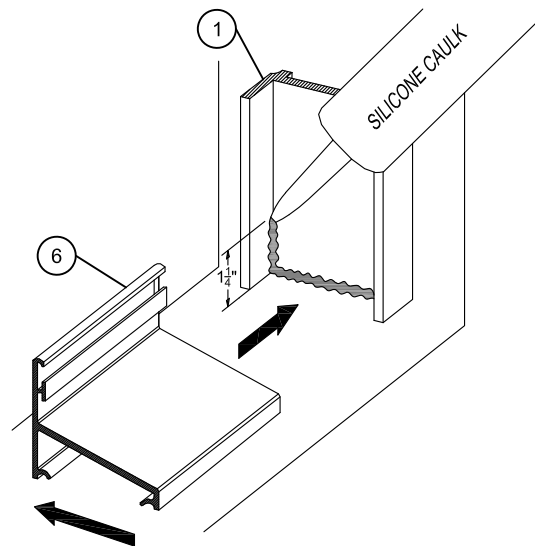


5. Close installed panels to check for panel edge alignment against vertical wall jambs. Using a $\frac{1}{4}$ " box-end wrench, loosen the screws on the backs of rollers but DO NOT remove completely. While screw is loose, adjust panel by sliding the screw in roller bracket slot to desired adjustment position. Retighten screw.

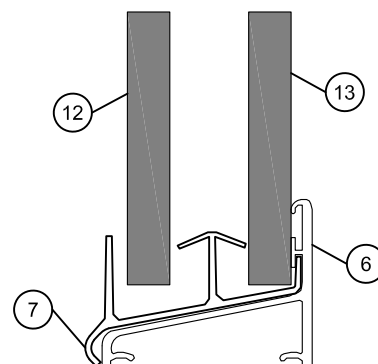
Caution: When screws are loose be sure to support panel so it does not fall and break. Adjust inside slider as low as possible to reduce the gap between bottom of panel and sill taking care that the glass does not drag on the track or center guide.



6. Cut bottom sill (#6) between $\frac{1}{32}$ "- $\frac{1}{16}$ " less than the opening width between wall jambs. Run a bead of silicone $1\frac{1}{4}$ " up the inside of the outside leg of the wall jamb. Set in place with #6 x $\frac{3}{8}$ " SMS screws (#10) and wipe away any excess silicone.

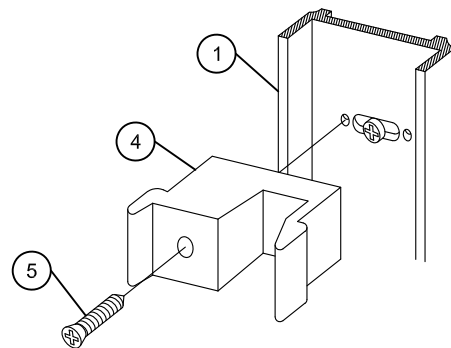


7. Snap center guide (#7) to center position on sill. Make sure the center guide is hooked into the slot position on the sill.



8. Secure bumpers (#4) in place with a #6-32 x 1/2" MS (#5).

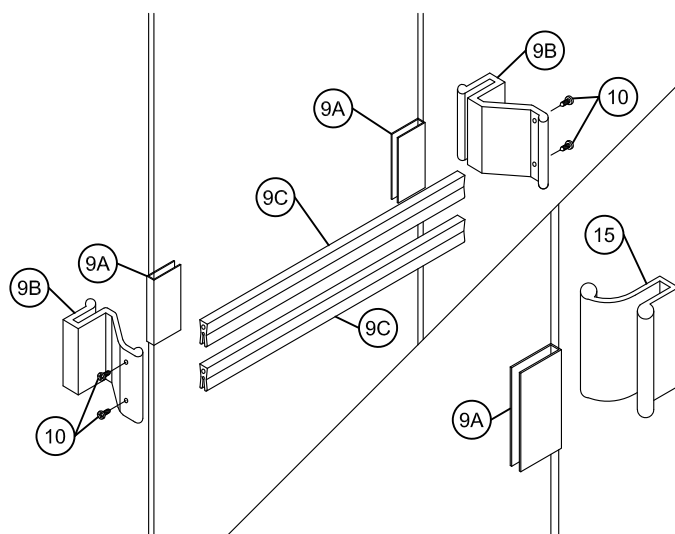
Note: Glass panels close into the recessed portion of the bumpers. The recess is toward the inside of the tub on the showerhead jamb, and toward the outside on the opposite jamb.



9. To install towel bar assembly, locate placement of previously installed bumpers (#4) on side wall jambs. Set handle/towel bar vinyl (#9A) on edge of glass making sure to align the bottom edge of the vinyl with the bottom edge of the bumper. Repeat process on adjacent edge of glass panel. ****NOTE: SPRAYING GLASS CLEANER ON INSTALLED VINYL PIECES WILL ACT AS A LUBRICATING AGENT WHEN TAPPING BRACKETS IN PLACE OVER VINYL.**

Install towel bar brackets (#9B) over vinyl by gently tapping bracket with a rubber mallet. Install towel bars (#9C) by sliding into brackets and securing with four 6-3/8 SMS screws (#10). ****NOTE: DO NOT OVER TIGHTEN SCREWS.**

To install pull handle assembly, locate placement of previously installed bumpers (#4) on side wall jambs. Set handle/towel bar vinyl (#9A) on edge of glass making sure to align the bottom edge of the vinyl with the bottom edge of the bumper. Install pull handle (#15) over vinyl by gently tapping handle with a rubber mallet making sure the curved part of the handle faces the inside of the tub/shower.



Description	Qty.	Part #	Picture
9A. Handle/Towel Bar Vinyl	3	zv914	
9B. Towel Bar Brackets	2	Comp BBP	
9C. Towel Bars	2	Comp TB	
10. #6 x 3/8 SMS Screws	4	#6 SMS	
15. Inside Door Pull	1	Comp DP	

10. Silicone inside and outside of tub/shower where frame meets walls, sill meets wall jamb and curb of tub/shower

