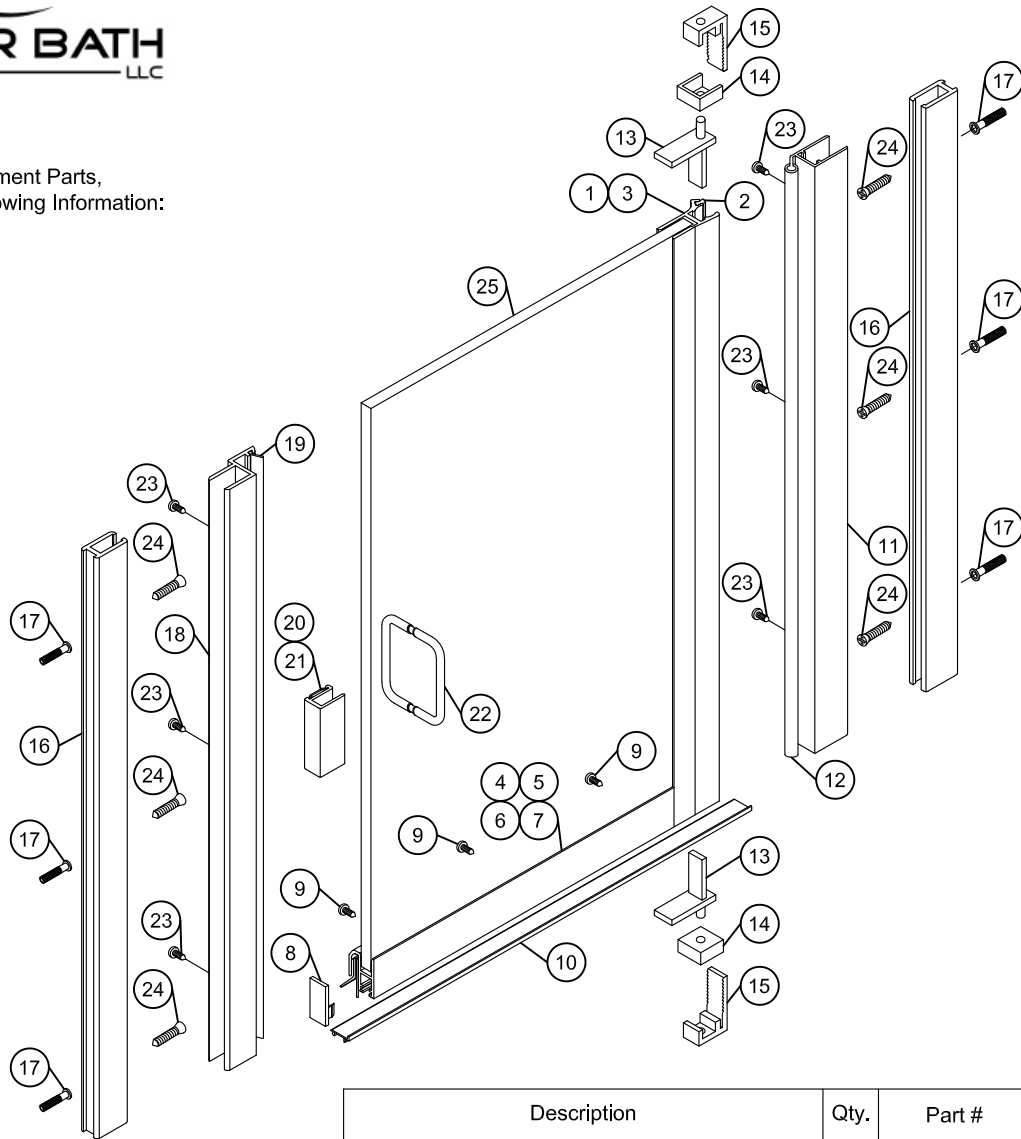




When Ordering Replacement Parts,
Please Provide The Following Information:

1. Model Number
2. Part Number
3. Part Description
4. Color

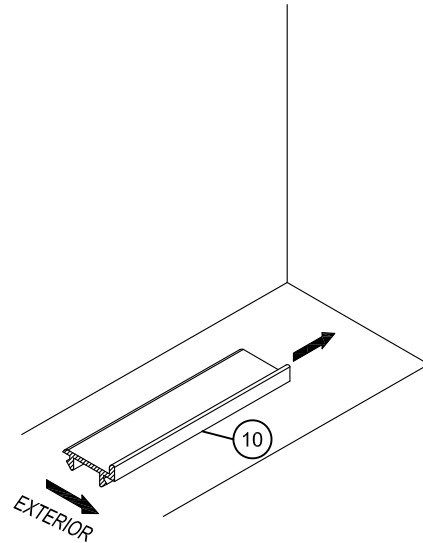


For assembly you will need:

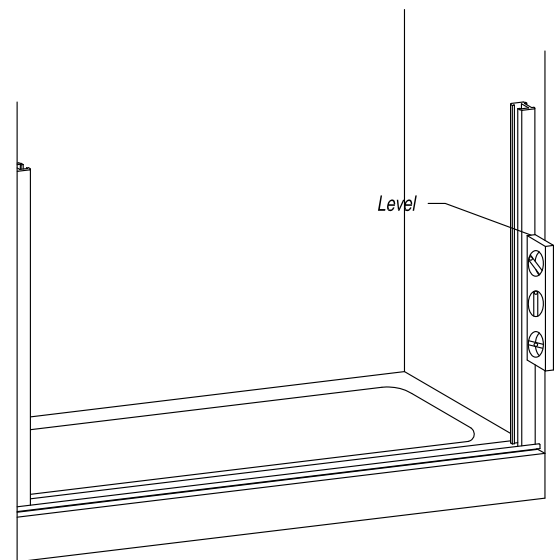
- | | |
|---|--|
| 1. Phillips Screwdriver | |
| 2. Hack Saw | |
| 3. Silicone | |
| 4. Rubber Mallet | |
| 5. 3/16" Carbide Drill Bit (for tile walls) | |
| 6. #31 Drill Bit | |
| 7. Level | |
| 8. Pencil | |
| 9. Masking Tape | |
| 10. Tape Measure | |
| 11. Safety Glasses | |

Description	Qty.	Part #	Picture
1. Hinge Rail Vinyl	1	925	
2. Hinge Rail Seal	1	955	
3. Hinge Rail	1	2503	
4. Bottom Rail	1	1002	
5. Bottom Rail Vinyl	1	ZV901/ZV903	
6. Drip Rail	1	2008	
7. Vinyl Sweep	1	ZV904A	
8. Bottom Rail End Cap	1	ZV940	
9. #6 x 1/4" SMS B Screws	3	#6SMS14	
10. Bottom Sill	1	1102	
11. Hinge Jamb	1	2505	
12. Hinge Jamb Sleeve	1	950	
13. Hinge Pins	2	ZV945	
14. Hinge Bushings	2	ZD1013	
15. Hinge Clips	2	ZD1009	
16. Wall Channel	2	1006	
17. Wall Anchors	6	Anchor	
18. Strike Jamb	1	1004	
19. Strike Jamb Vinyl	2	908E	
20. Magnetic Catch Vinyl	1	ZV914	
21. Magnetic Catch	1	MAG4012	
22. Door Handle Assembly	1	BTB 6"PULL	
23. #6 X 3/8" SMS Screws	6	#6SMS38	
24. #8 X 1 1/4" Phil Pan	6	#8PhilPan	
25. Glass Panel	1	SDPAN	

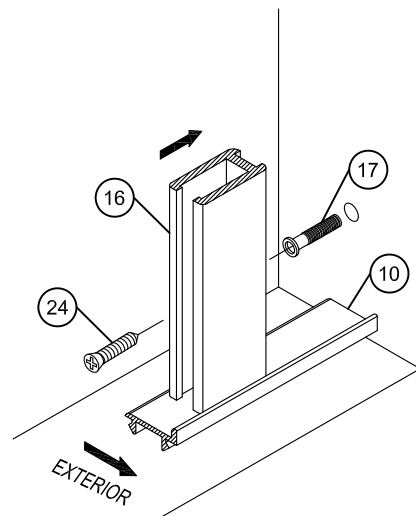
1. Measure and note your centerline threshold/curb opening width. Cut Sill (#10), 1/8" shorter than your measured width. Place cut Sill on the centerline of your threshold/curb and temporarily secure it in place with two pieces of masking tape.



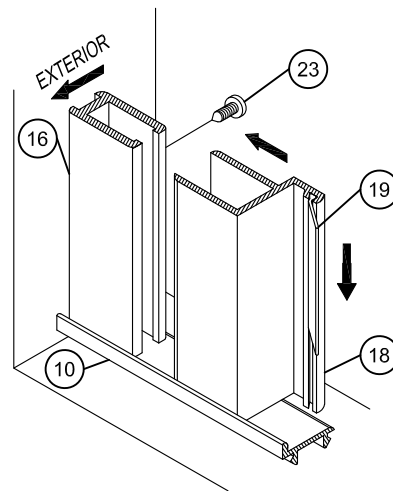
2. Place Wall Channel (#16), one at a time, on top of secured Sill. Use a level alongside the edge of Wall Channels, adjusting each Channel until your level reads plumb. With a pencil, mark your shower walls through the pre-drilled holes located on the inside of your Wall Channel. Set Wall Channels aside.



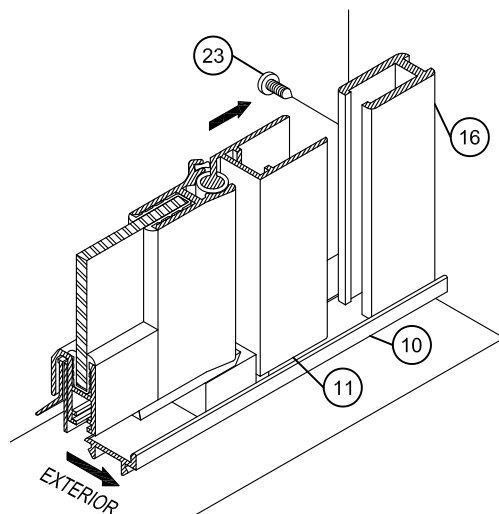
3. Using your 3/16" drill bit, drill three holes on previously marked walls. (For hard surfaces like granite or tile, use a Carbide drill bit). Insert Wall Anchors in holes (#17). Place Wall Channels in place and use three, #8 x 1-1/4" SMS Screws (#24) to secure wall Channel in place. Repeat on other side.



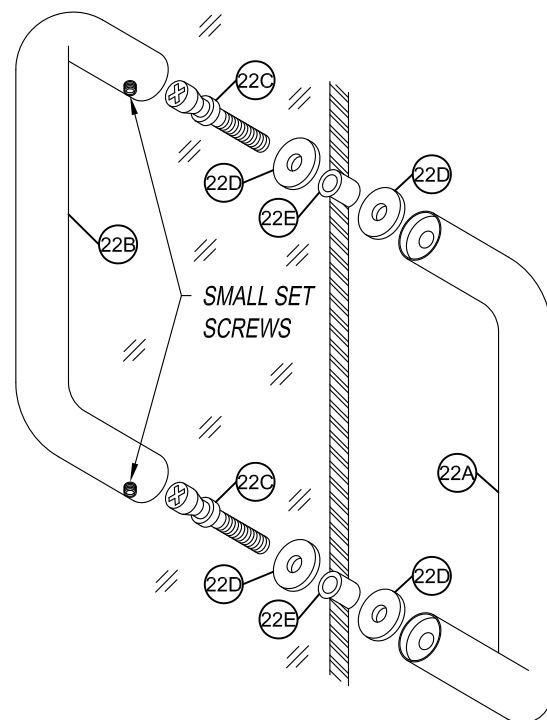
- 4.** Place Strike Jamb (#18) over handle side of shower. Press Strike Jamb firmly in place over Channel. Do not screw Strike Jamb in place yet to allow for necessary adjustment in next step. **NOTE:** When you placed your shower door order, you specified a right or left swing on your enclosure. Your door was built according to your specifications and is not field reversible.



- 5.** Place Hinge Jamb (#11) and door over remaining Wall Channel and press firmly in place. Shut door against Strike Jamb and determine what adjustments need to be made to level door and create a 3/16"-1/4" reveal between the edge of the glass and the Strike Jamb. Once you have achieved the proper reveal, screw the Strike Jamb and Hinge Jamb in place using the #6 x 3/8" SMS Screws (#23).

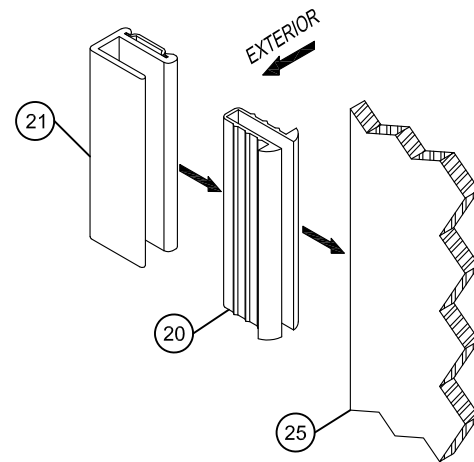


- 6.** Handle Installation - Using provided Allen Wrench, disconnect the back-to-back handles from each other by loosening the two Small Set Screws on the underside of handle (#22B). Next, Remove Large Set Screws (#22C) from handle (#22A) along with washers (#22D) & Grommet (#22E). Place Large Set Screw (#22C) with Grommet (#22E) and one washer (#22D) through from the outside of the glass. Place second washer (#22D) on other end of Large Set Screw (#22C) and hand tighten screw into Handle (#22A) Repeat process on second hole. Once tightened, turn screws another 1/8" to firmly secure the inside handle. ***NOTE: DO NOT OVERTIGHTEN SCREW.** Take the remaining handle (#22B) and snap it over the receiving ends of the Large Set Screws so it is firmly seated against glass. With your Allen Wrench, tighten the two Small Set Screws so that the outside handle is firmly secured in to place.

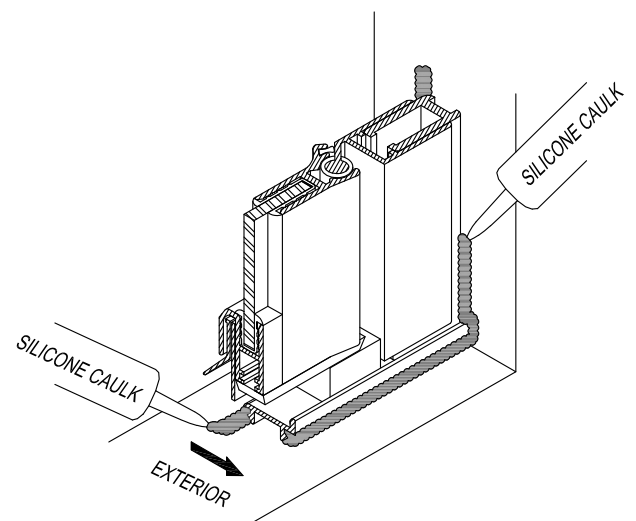


Description	Qty.	Part #	Picture
22A. BTB 6" Pull Part-A	1	BTB6IN-A	
22B. BTB 6" Pull Part-B	1	BTB6IN-B	
22C. Large Set Screws	2	SetsLG	
22D. Washer	2	BTBWash	
22E. 3/16-1/4" Grommet	2	.25Grom	

- 7.** Install Magnetic Catch Vinyl (#20) over glass door and align the center of the vinyl with the center of the Magnet on your previously installed Strike Jamb. Install the Magnetic Catch (#21) by first spraying the receiving vinyl with glass cleaner. The glass cleaner will act as a lubricant allowing the Magnetic Catch to fit over the vinyl with ease. Using a rubber mallet, tap the Magnetic Catch (#21) in place until it is flush with the edge of the door and vinyl.



- 8.** Silicone inside and outside of shower enclosure as shown in diagram making sure to run the bead of clear silicone along all edges of exposed aluminum parts at threshold and walls.



Overhead view of finished installation.

- 9.**

